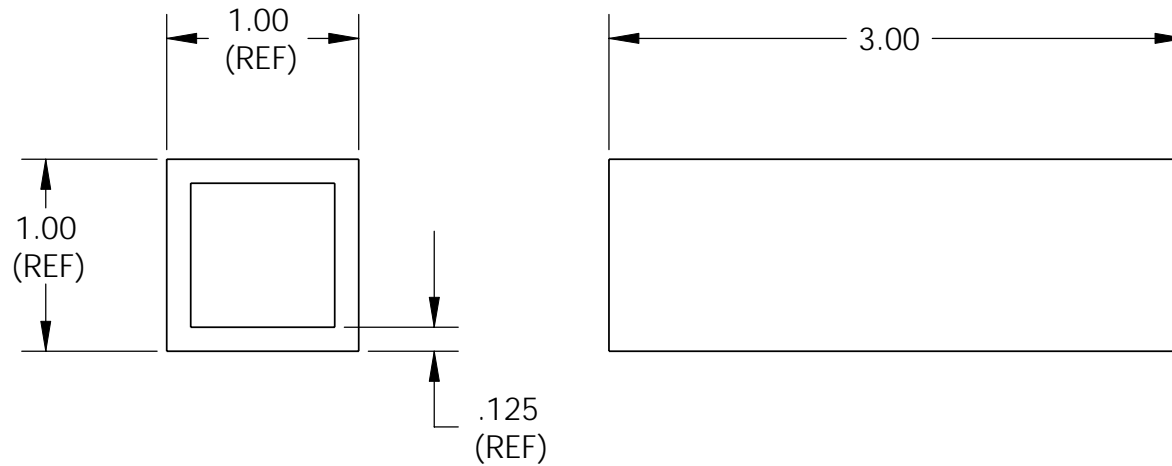
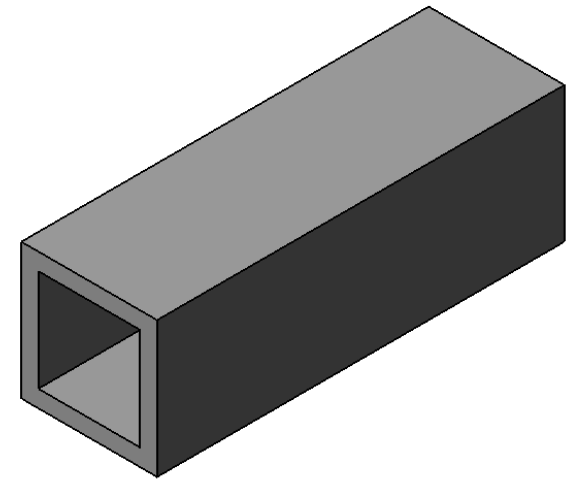


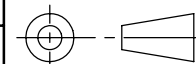
REVISIONS				
REV	BY	DESCRIPTION	DATE	APPROVED



MATL .125 WALL x 1" x 1" 6061 ALUMINUM TUBE

ASME Y14.5M 1994 APPLIES

DATE 9/7/2007



DRAWN AJP



ICE CORING & DRILLING SERVICE

University of Wisconsin
Space Science & Engineering Center
1225 W Dayton Street
Madison, WI 53706

ICE CORING & DRILLING SERVICES

UNLESS NOTED 63/ UNITS: INCH

CHK'D JAJ

RISER ASSEMBLY

3-PLACE: +/- .005
2-PLACE: +/- .010

APPR'D RJB

NO REQ'D 2

DWG NO

STRUT REST TUBE

1-PLACE / FRAC: +/- .015
ANGULAR: +/- 0.5 DEGREES

SCALE 1:2

SHEET 1 OF 1

8514 A0036

REV

-

USED ON 8514C0031