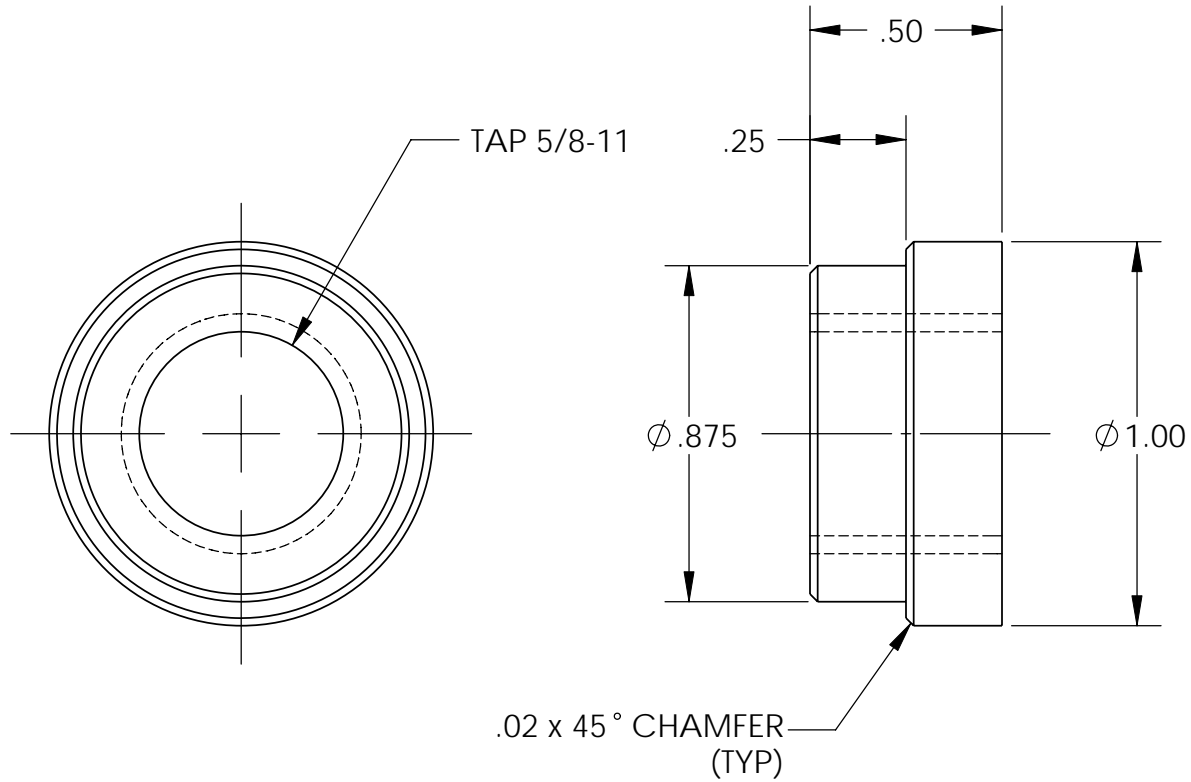


REVISIONS				
REV	BY	DESCRIPTION	DATE	APPROVED



MATL 6061 ALUMINUM

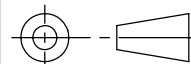
ICE CORING & DRILLING SERVICES

TOWER WELDMENT ASSEMBLY

STRUT STAND OFF

USED ON 8514C0047

ASME Y14.5M 1994 APPLIES



UNLESS NOTED <sup>63</sup>/<sub>✓</sub>  
 UNITS: INCH  
 3-PLACE: +/- .005  
 2-PLACE: +/- .010  
 1-PLACE / FRAC: +/- .015  
 ANGULAR: +/- 0.5 DEGREES

DATE 9/8/2007

DRAWN AJP

CHK'D JAJ

APPR'D RJB

SCALE 2:1



ICE CORING & DRILLING SERVICE

University of Wisconsin  
 Space Science & Engineering Center  
 1225 W Dayton Street  
 Madison, WI 53706

NO REQ'D 2  
 SHEET 1 OF 1

DWG NO

8514 A0050

REV

-