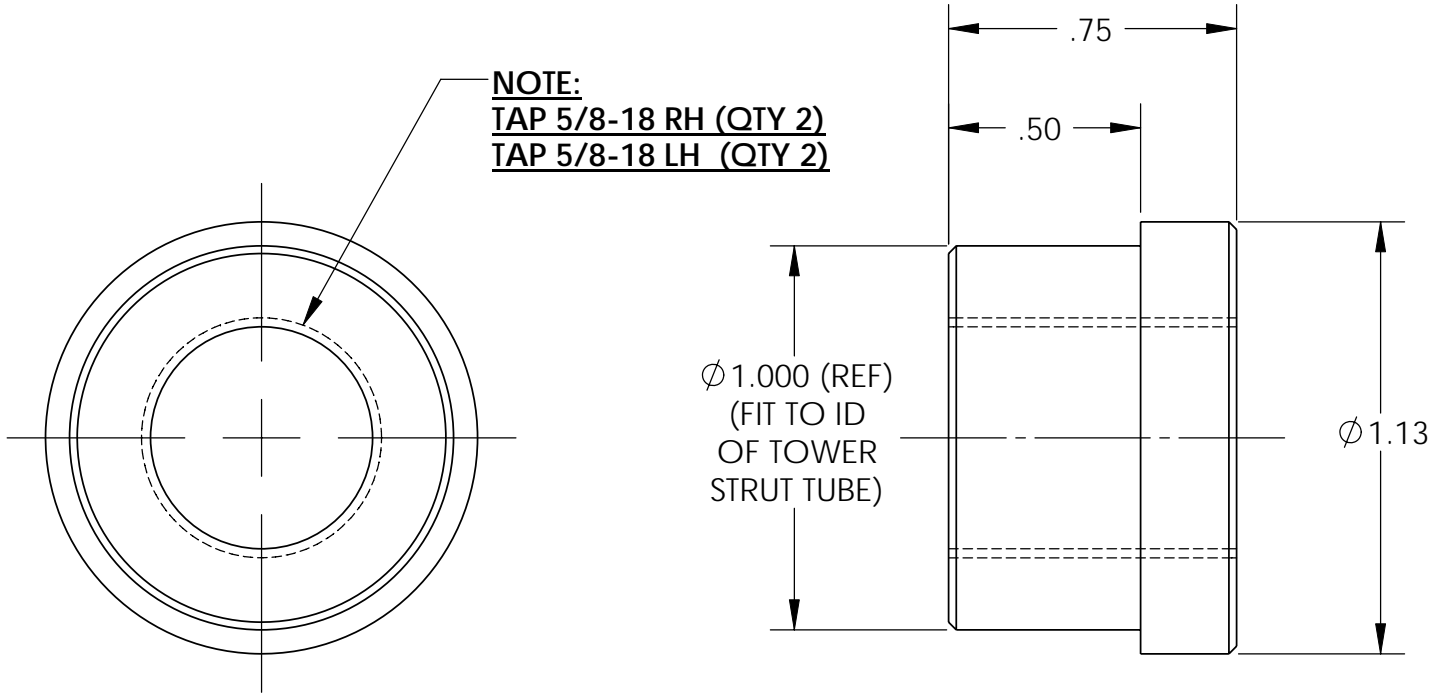


REVISIONS				
REV	BY	DESCRIPTION	DATE	APPROVED



MATL 6061 ALUMINUM

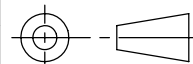
**ICE CORING & DRILLING SERVICES**

**SLED AND TOWER ASSEMBLY**

**TOWER STRUT INSERT**

USED ON 8514C0030

ASME Y14.5M 1994 APPLIES



UNLESS NOTED <sup>63</sup>/<sub>✓</sub>  
UNITS: INCH  
3-PLACE: +/- .005  
2-PLACE: +/- .010  
1-PLACE / FRAC: +/- .015  
ANGULAR: +/- 0.5 DEGREES

DATE 9/7/2007

DRAWN AJP

CHK'D JAJ

APPR'D RJB

SCALE 2:1



**ICE CORING & DRILLING SERVICE**

University of Wisconsin  
Space Science & Engineering Center  
1225 W Dayton Street  
Madison, WI 53706

NO REQ'D  
2RH/2LH  
SHEET 1 OF 1

DWG NO

**8514 A0058**

REV

-