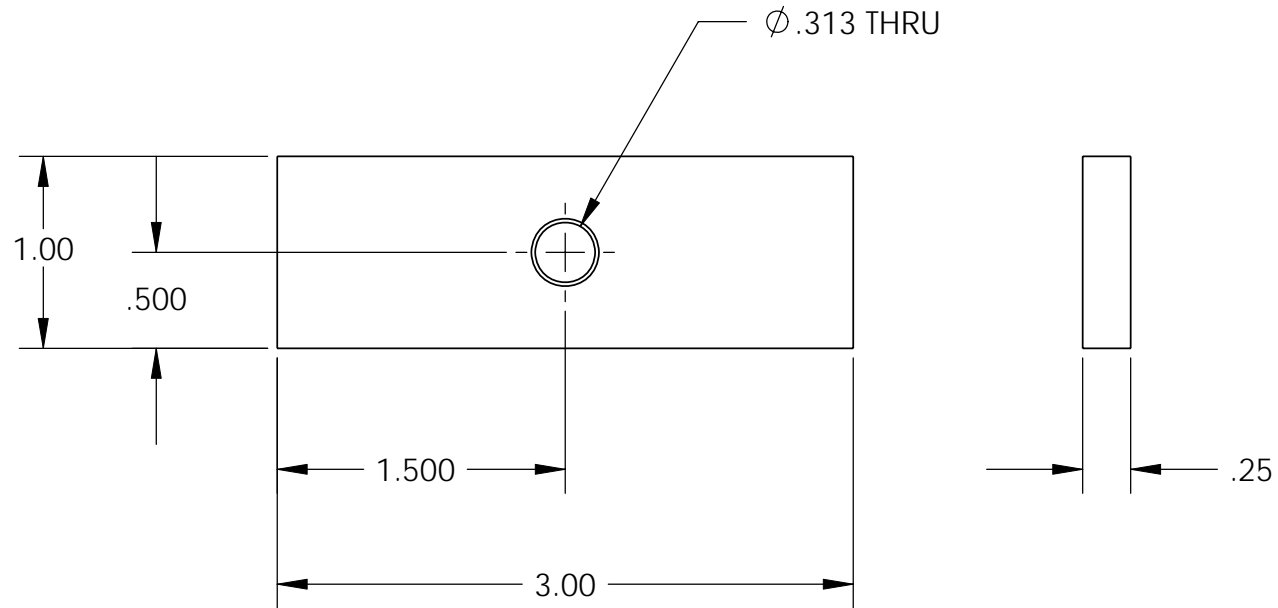


REVISIONS				
REV	BY	DESCRIPTION	DATE	APPROVED



MATL 6061 ALUMINUM

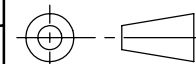
ICE CORING & DRILLING SERVICES

DECK STIFFENER ASSEMBLY

DECK STIFFENER END PLATE

USED ON 8514B0068

ASME Y14.5M 1994 APPLIES



UNLESS NOTED ⁶³/_✓
 UNITS: INCH
 3-PLACE: +/- .005
 2-PLACE: +/- .010
 1-PLACE / FRAC: +/- .015
 ANGULAR: +/- 0.5 DEGREES

DATE 3/6/2008

DRAWN AJP

CHK'D JAJ

APPR'D RJB

SCALE 1:1



ICE CORING & DRILLING SERVICE

University of Wisconsin
 Space Science & Engineering Center
 1225 W Dayton Street
 Madison, WI 53706

NO REQ'D 4

DWG NO

SHEET 1 OF 1

8514 A0070

REV

-